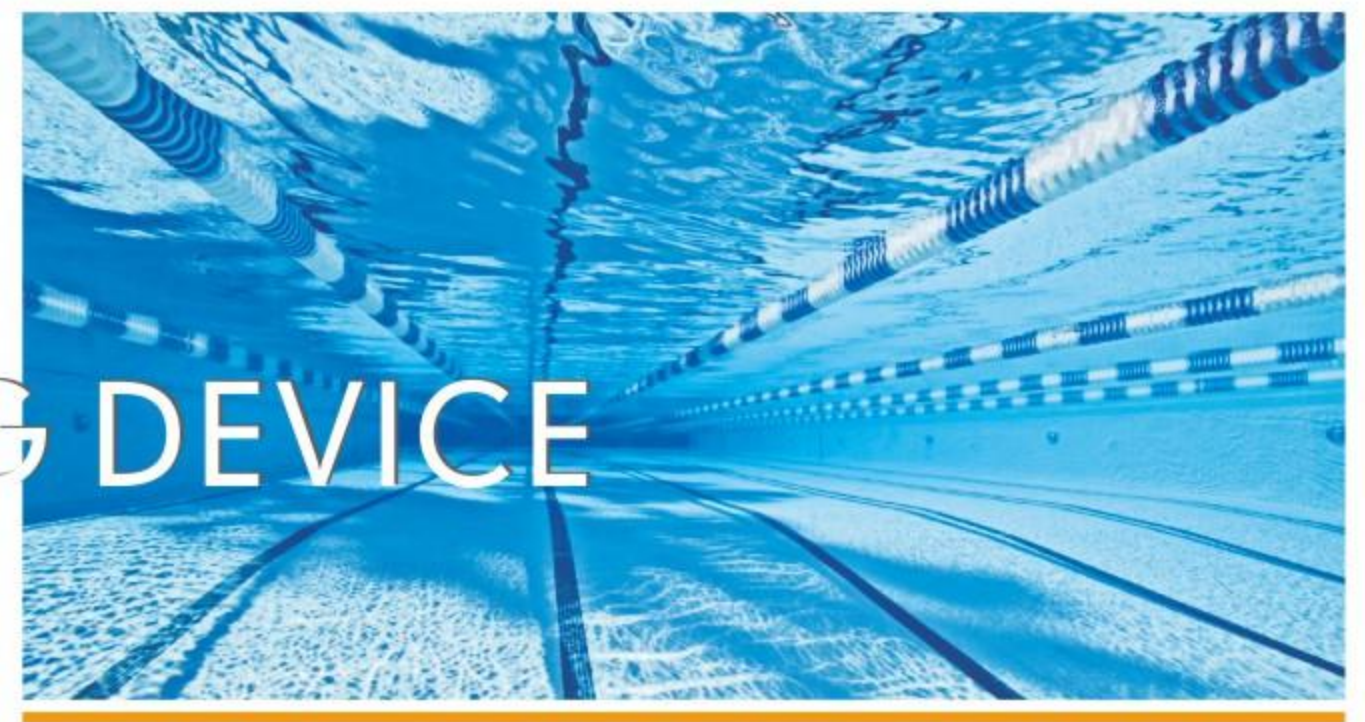
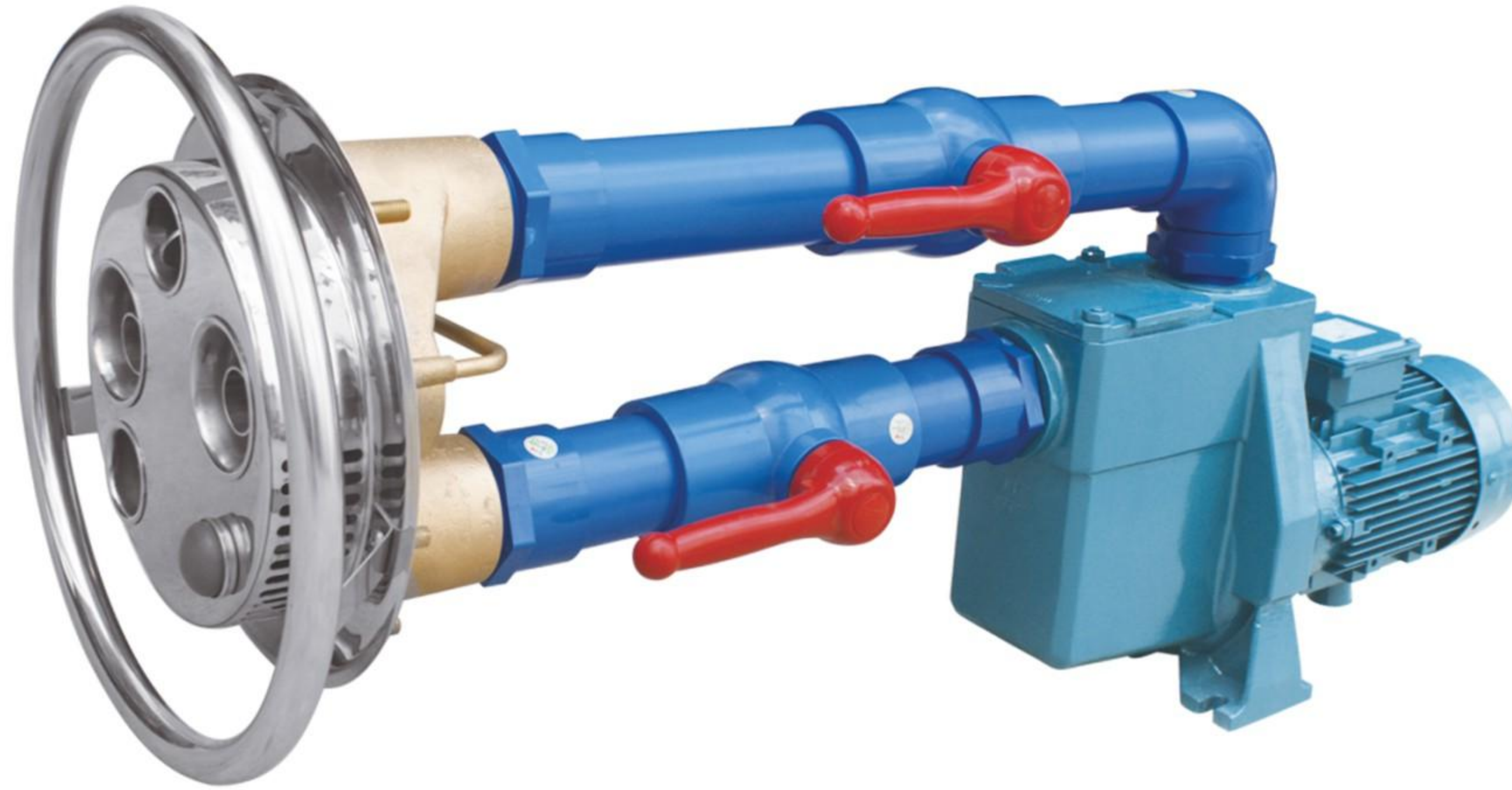




COUNTERCURRENT TRAINING DEVICE



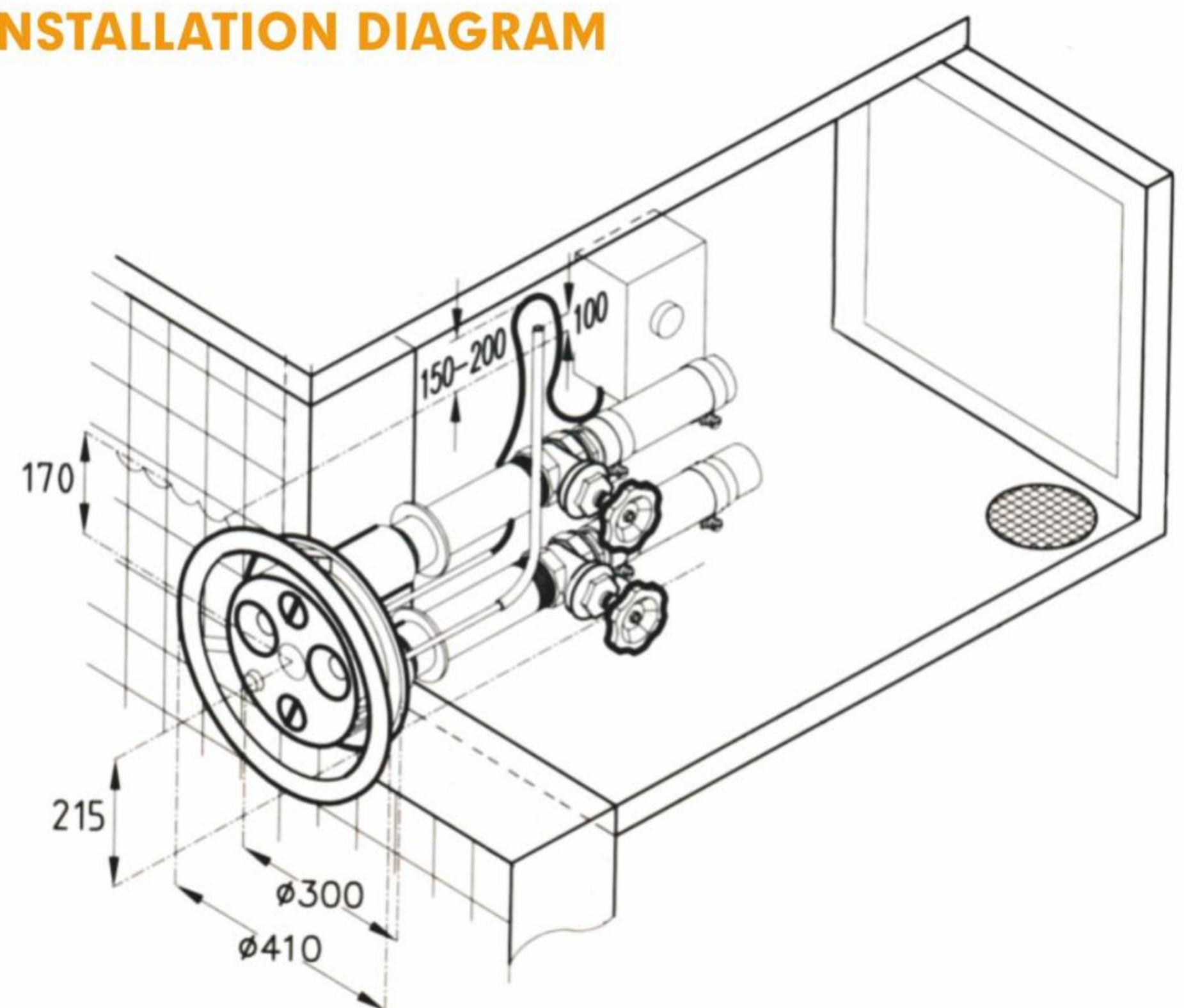
J-2000



Realize the dream of borderless swimming pool.

The frame is made of bronze. Front and handle made of polished corrosion resistance stainless steel AISI 304, for mounting in concrete, wood or prefabricated walls. Working with 4.0KW water pump. Control box includes switch and overload protection. Air mixture control. Air mixture hose. Hose connectors. Hose clamps. Hoses for suction and pressure. Valves.

INSTALLATION DIAGRAM



Specification :

Model	Pump Horsepower	Voltage	Frequency	Maximum Lift	Input Power	Maximum flow	
	(HP)	(V)	(Hz)	(m)	(kW)	(m³/h)	(L/min)
J-2000-40	4	380	50	15	3	51	850
J-2000-55	5.5	380	50	17.5	4	66	1100