



AQUARIUM SERIES FILTER PUMPS

ALKsalt



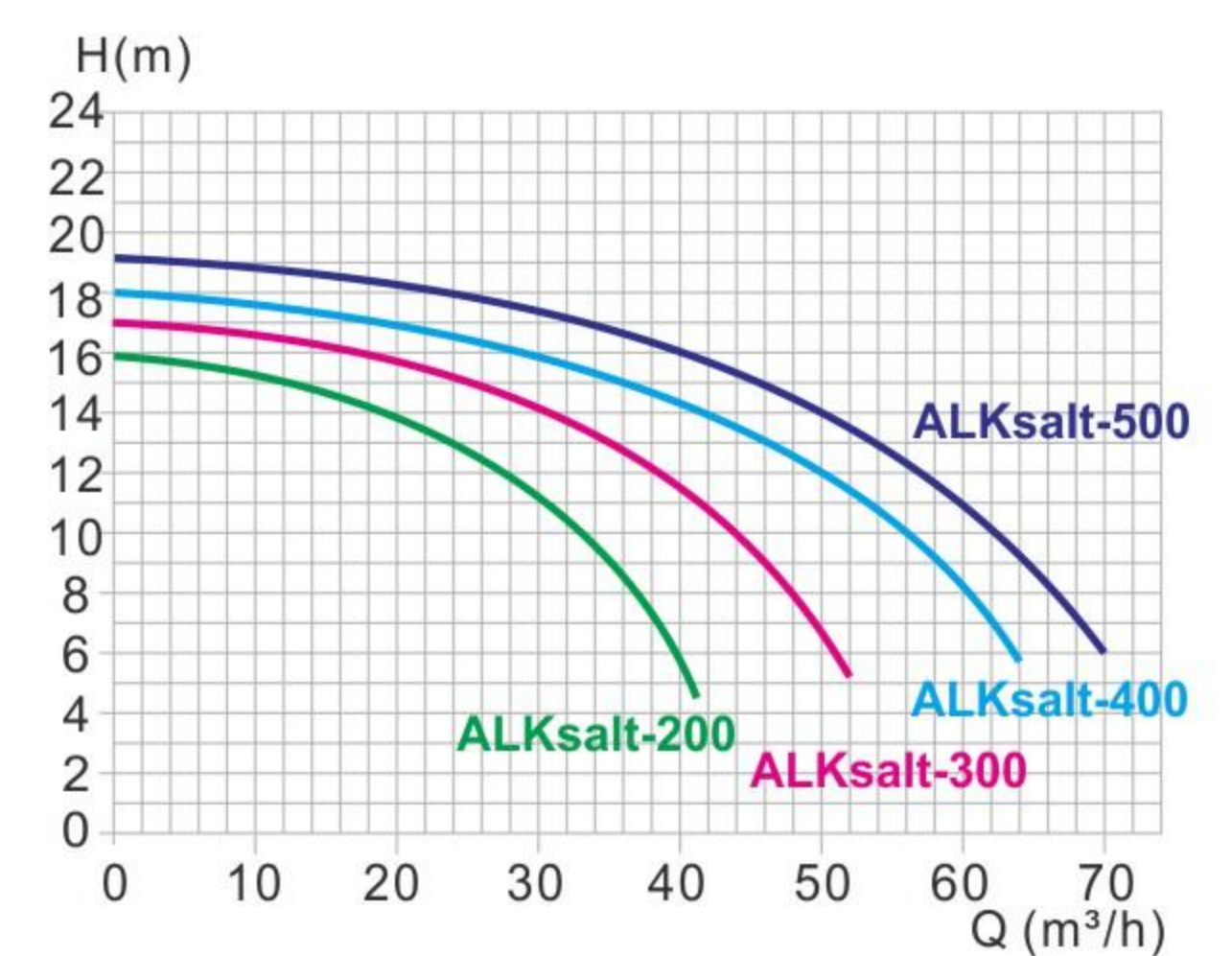
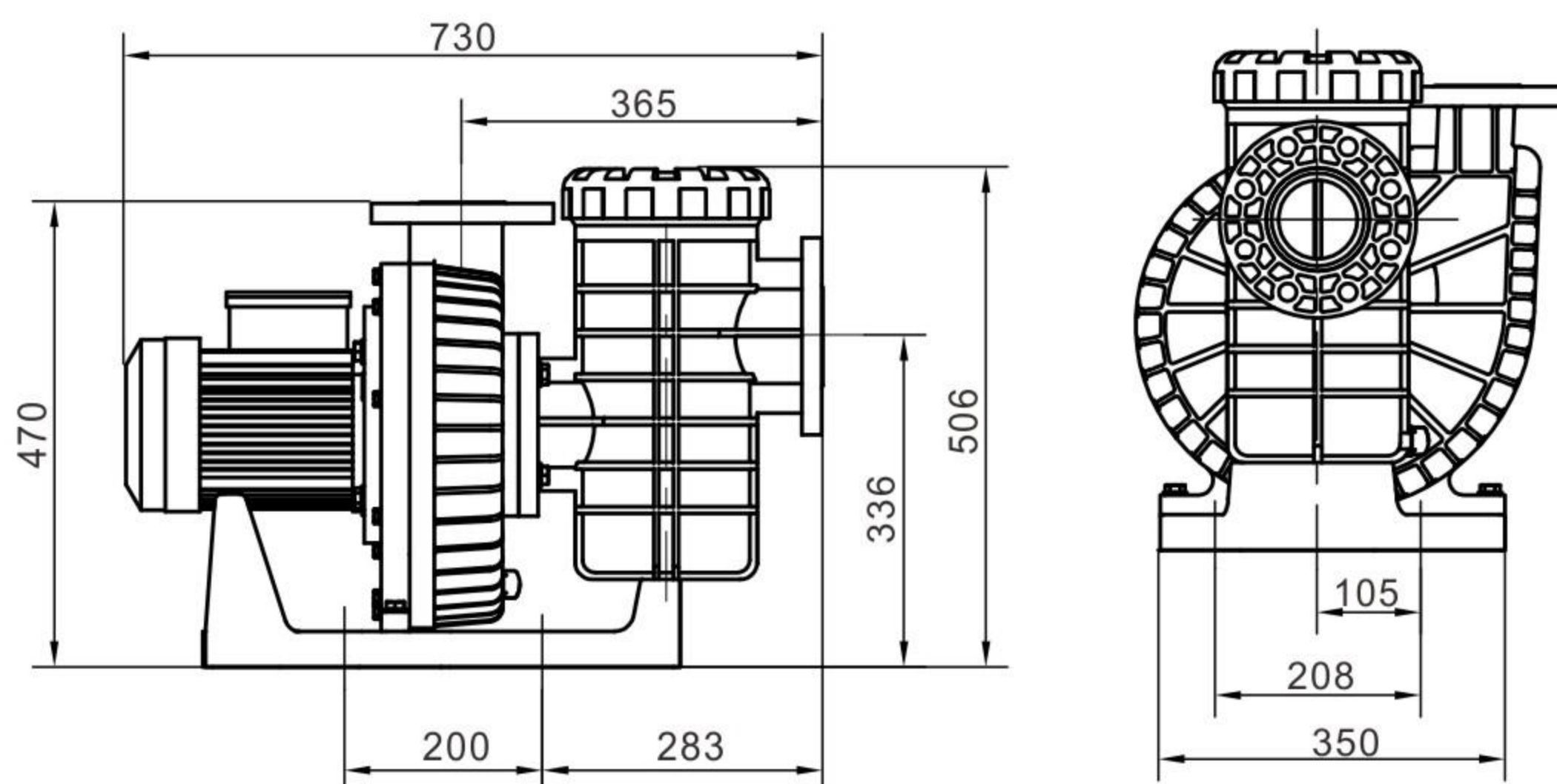
- Low noise, 4 pole motor 1450rpm speed, running sound is 10dB lower than ordinary water pump.
- 50% energy and electricity saving, the flow rate is twice more than ordinary water pumps in the same power, and the saved electricity cost for half a year exceeds the cost of the pump.
- Wide application, suitable for swimming pool, SPA, hot spring, aquarium, etc.
- Long lasting, five-year warranty on pump motor, and the pump can be used for more than ten years.
- Corrosion resistance, using 316L stainless steel motor shaft, 316 stainless steel spring, Italian graphite mechanical seal.
- Using international well-known NSK brand bearing, small friction coefficient, and maintenance-free.
- The motor is IP55 waterproof and F-class insulated.
- Sturdy and durable large-capacity filter basket, smooth inner surface is easier to clean.



Suitable for sea water, working pressure up to **6 kg/cm²**.

Specification and size:

技术参数及产品尺寸



Model	Voltage	Power		Inlet	Outlet	Hmax	Qmax
	(V/Hz)	(kW)	(HP)			(M)	(m ³ /h)
ALKsalt-200	380/50	1.5	2.0	DN80	DN65	16	41
ALKsalt-300	380/50	2.0	3.0	DN80	DN65	17	52
ALKsalt-400	380/50	3.0	4.0	DN80	DN65	18	65
ALKsalt-500	380/50	3.8	5.0	DN80	DN65	19	75