



AQUARIUM SERIES FILTER PUMPS

AKsalt



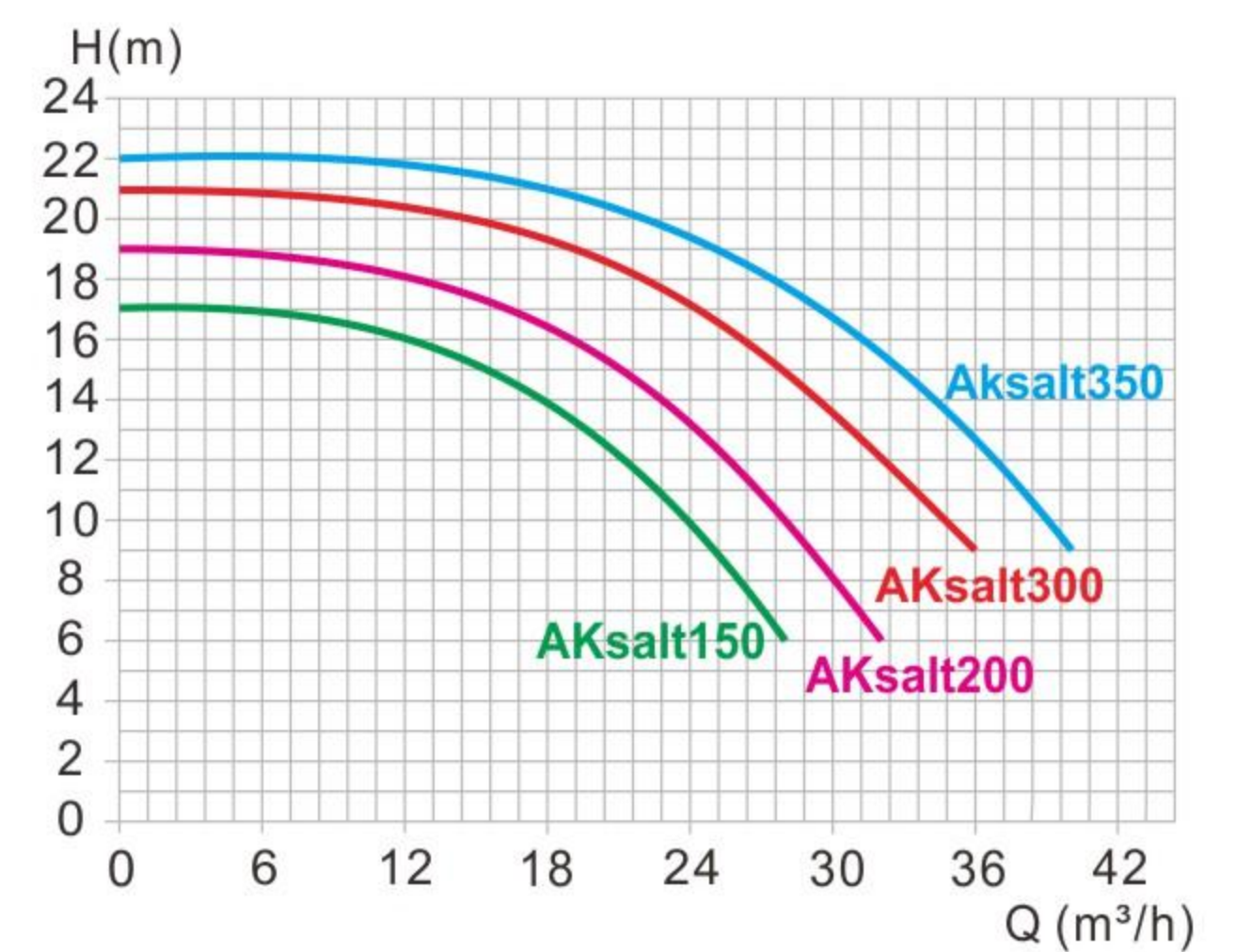
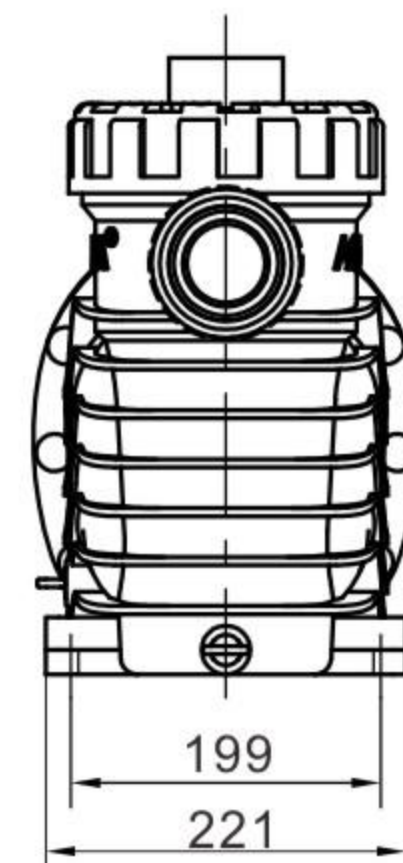
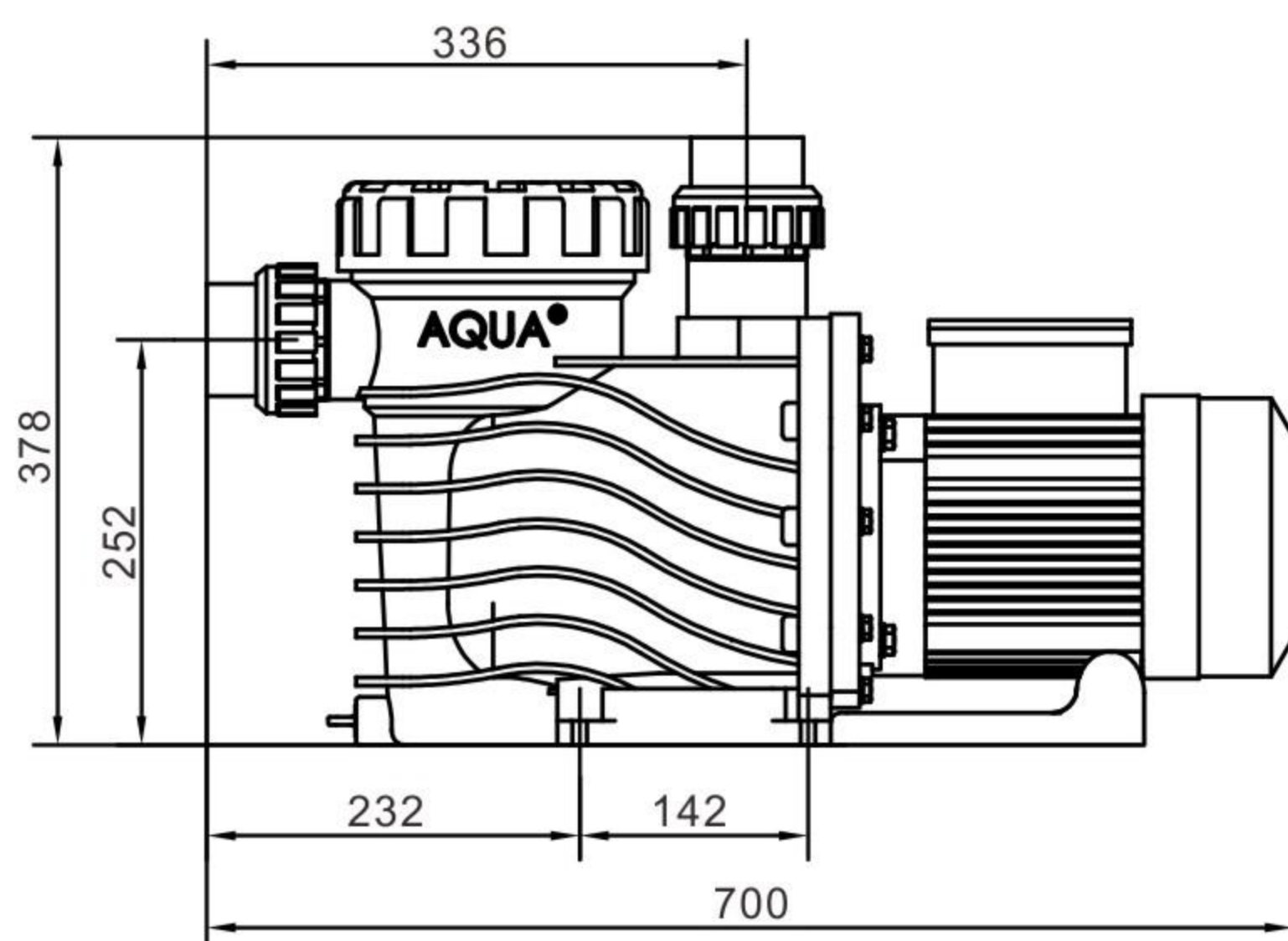
- IP55 waterproof standard.
- Big flow rate.
- Ultra-quiet.
- Maximum working pressure up to 6 kg/cm².
- 316 stainless steel shaft.
- Graphite/ceramic mechanical seal.
- Suitable for maximum hot water temperature up to 70°C.



Appearance and design patented, counterfeiting not allowed!
 Patent No.: CN201630522508.8

Suitable for sea water, working pressure up to **6 kg/cm²**.

Specification and size:



Model	Voltage	Connection Size	Output power	Weight	Length	Width	Height
	(V)		(kW)	(kg)	(mm)	(mm)	(mm)
AKsalt150	220	DN50	1.1	20.8	700	221	378
AKsalt200	220	DN50	1.5	22.0	700	221	378
AKsalt300	220/380	DN50	2.2	24.0	700	221	378
AKsalt350	220/380	DN50	2.6	25.0	700	221	378