



AQUARIUM SERIES FILTER PUMPS

AUsalt



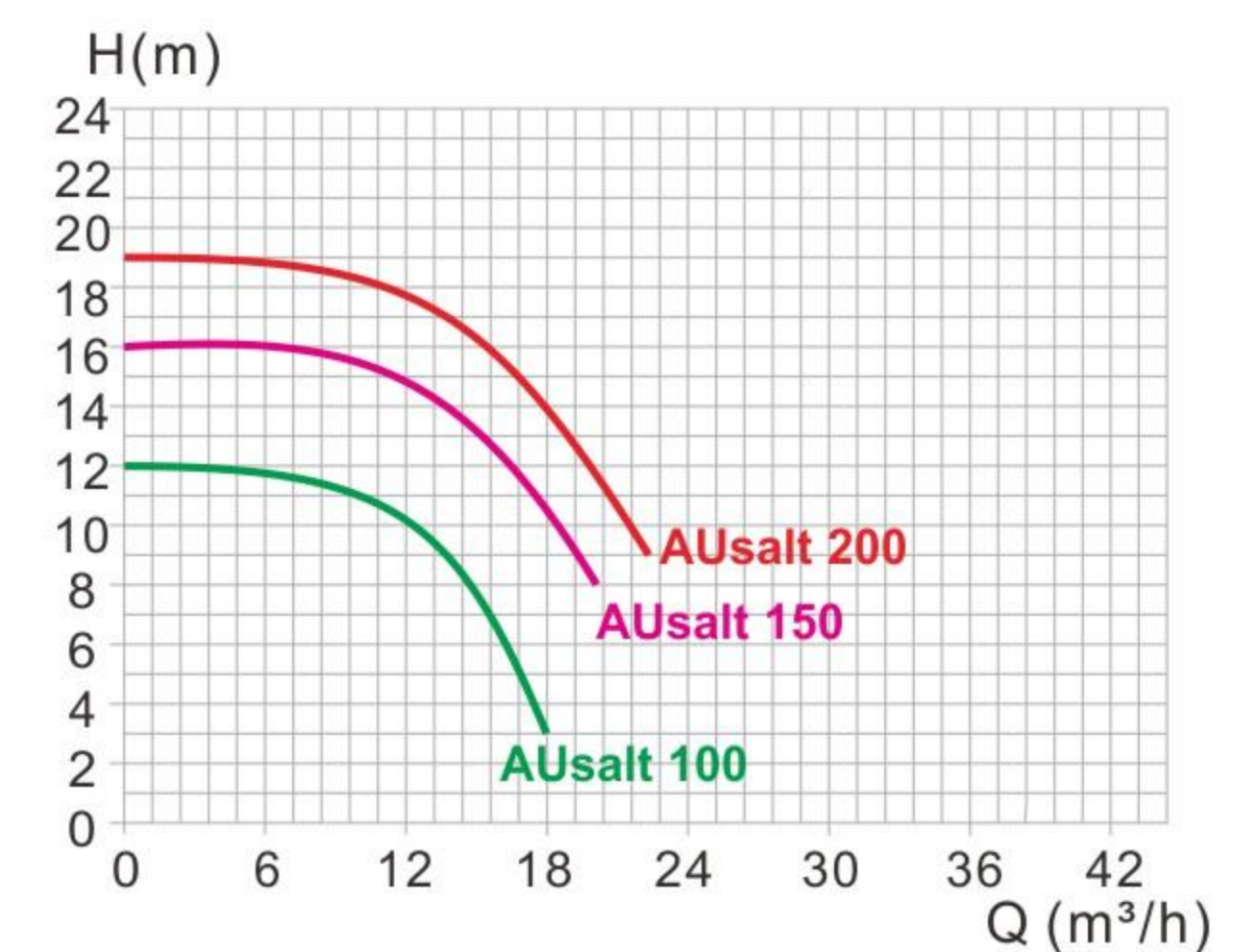
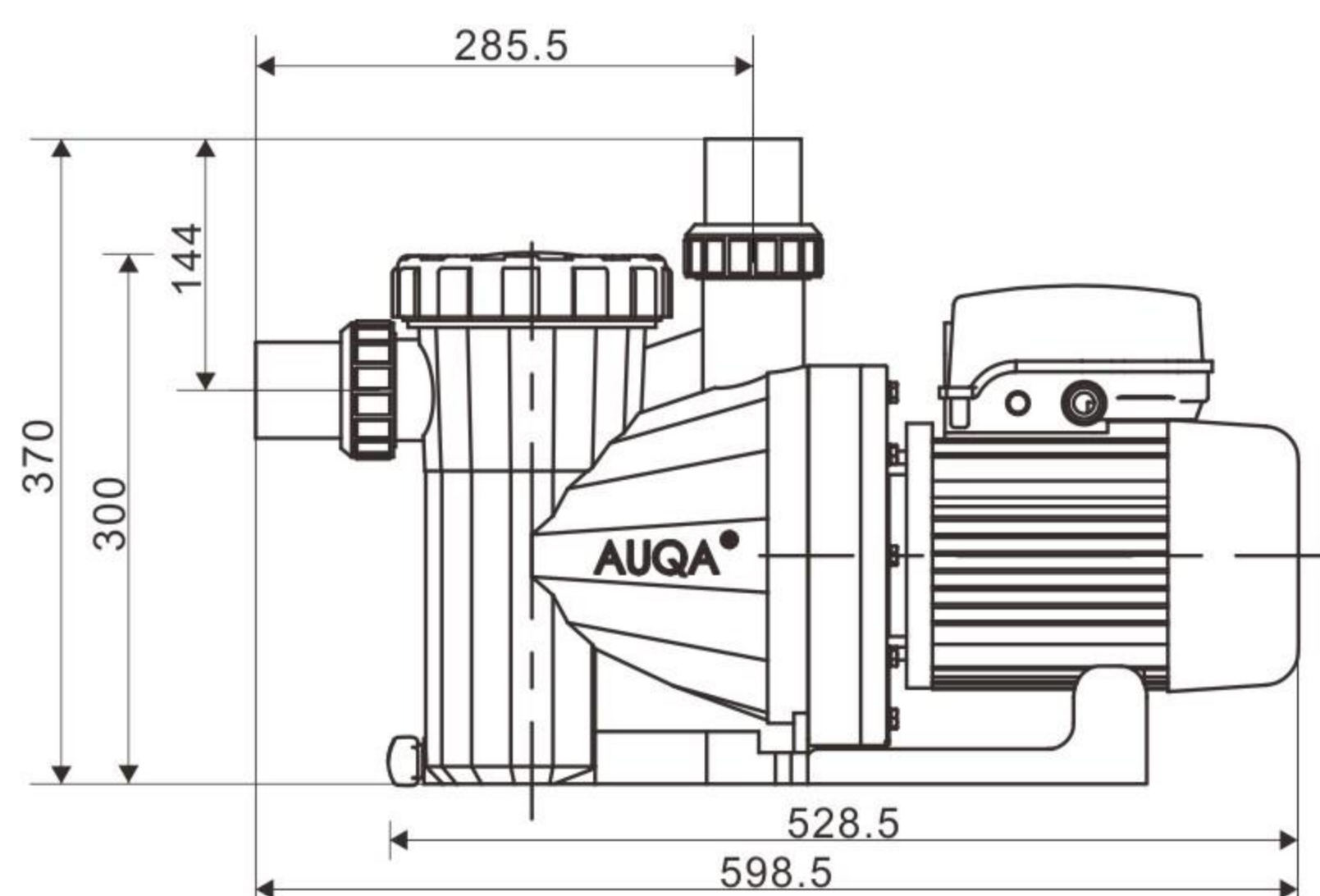
- IP55 waterproof standard.
- Big flow rate.
- Ultra-quiet.
- Maximum working pressure up to 7 kg/cm².
- 316 stainless steel shaft.
- Graphite/ceramic mechanical seal.
- Suitable for maximum hot water temperature up to 70°C.



Appearance and design patented, counterfeiting not allowed!
 Patent No.: CN201730046271.5

Suitable for sea water, working pressure up to 7 kg/cm².

Specification and size:



Model	Voltage	Connection Size	Output power	Weight	Length	Width	Height
	(V)		(kW)	(kg)	(mm)	(mm)	(mm)
AUsalt 100	220	DN40	0.75	15.2	528.5	220	300
AUsalt 150	220	DN40	1.1	15.6	528.5	220	300
AUsalt 200	220	DN40	1.5	16.0	528.5	220	300