



PROFESSIONAL SWIMMING POOL PUMP



ALB



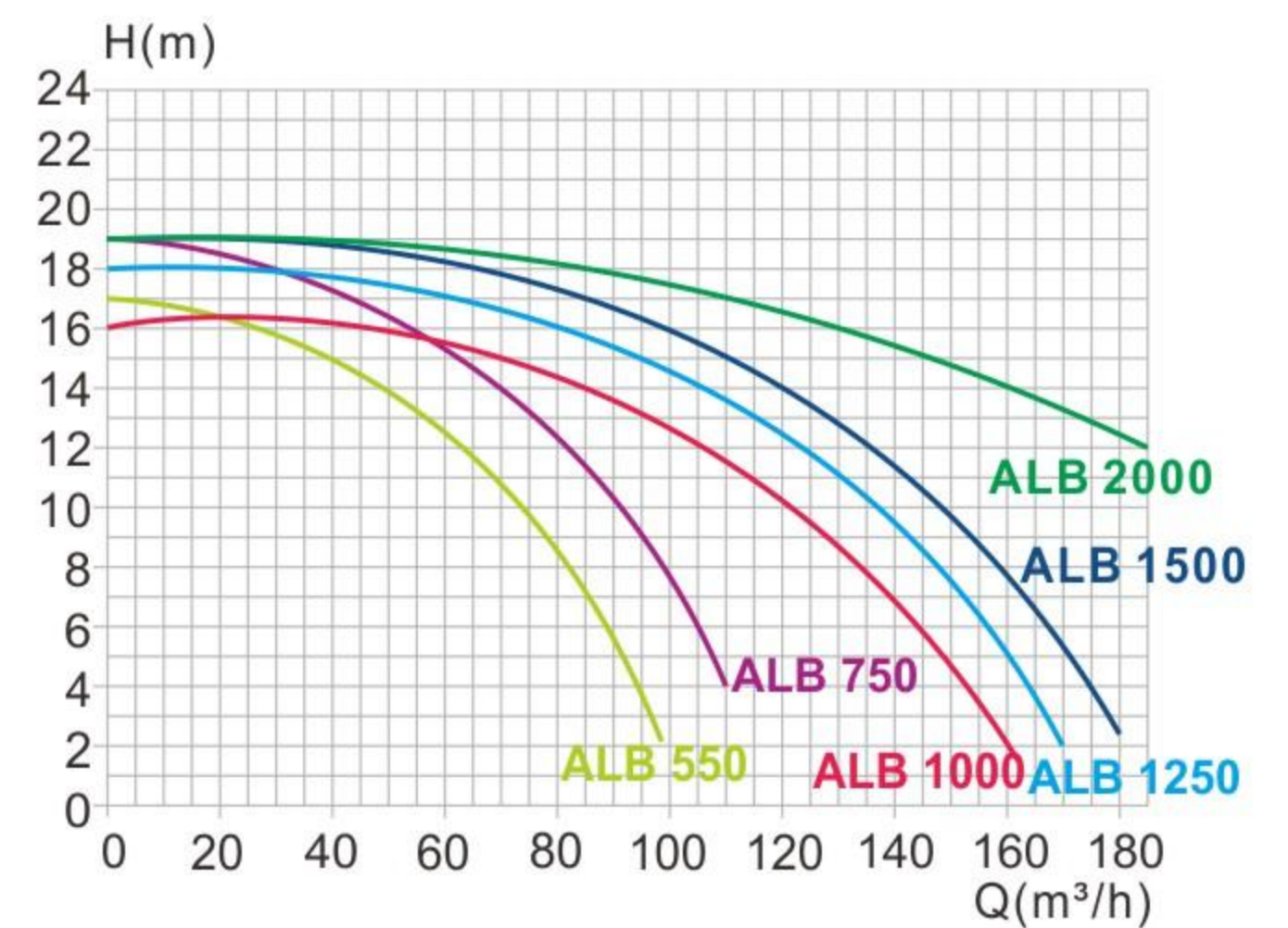
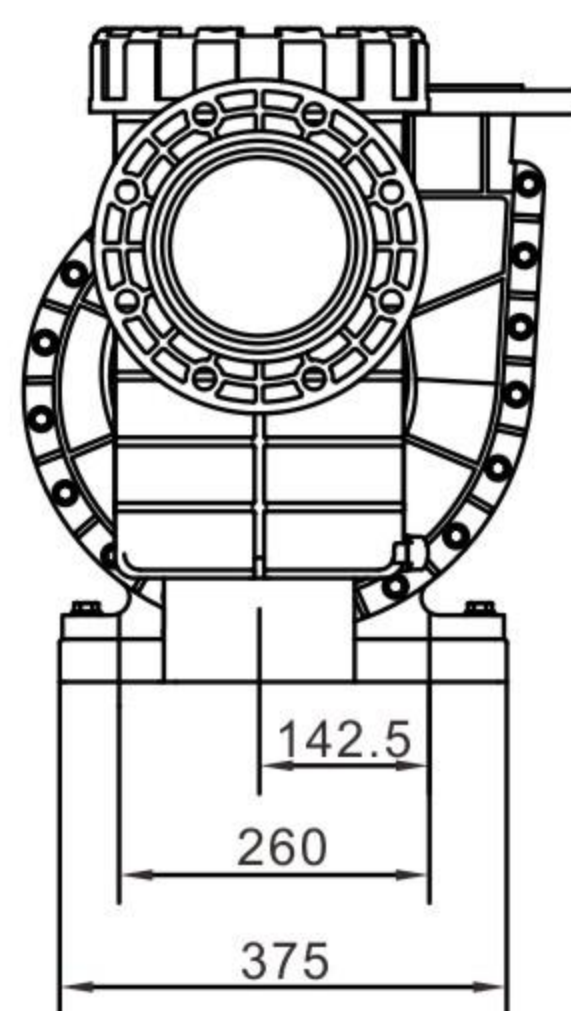
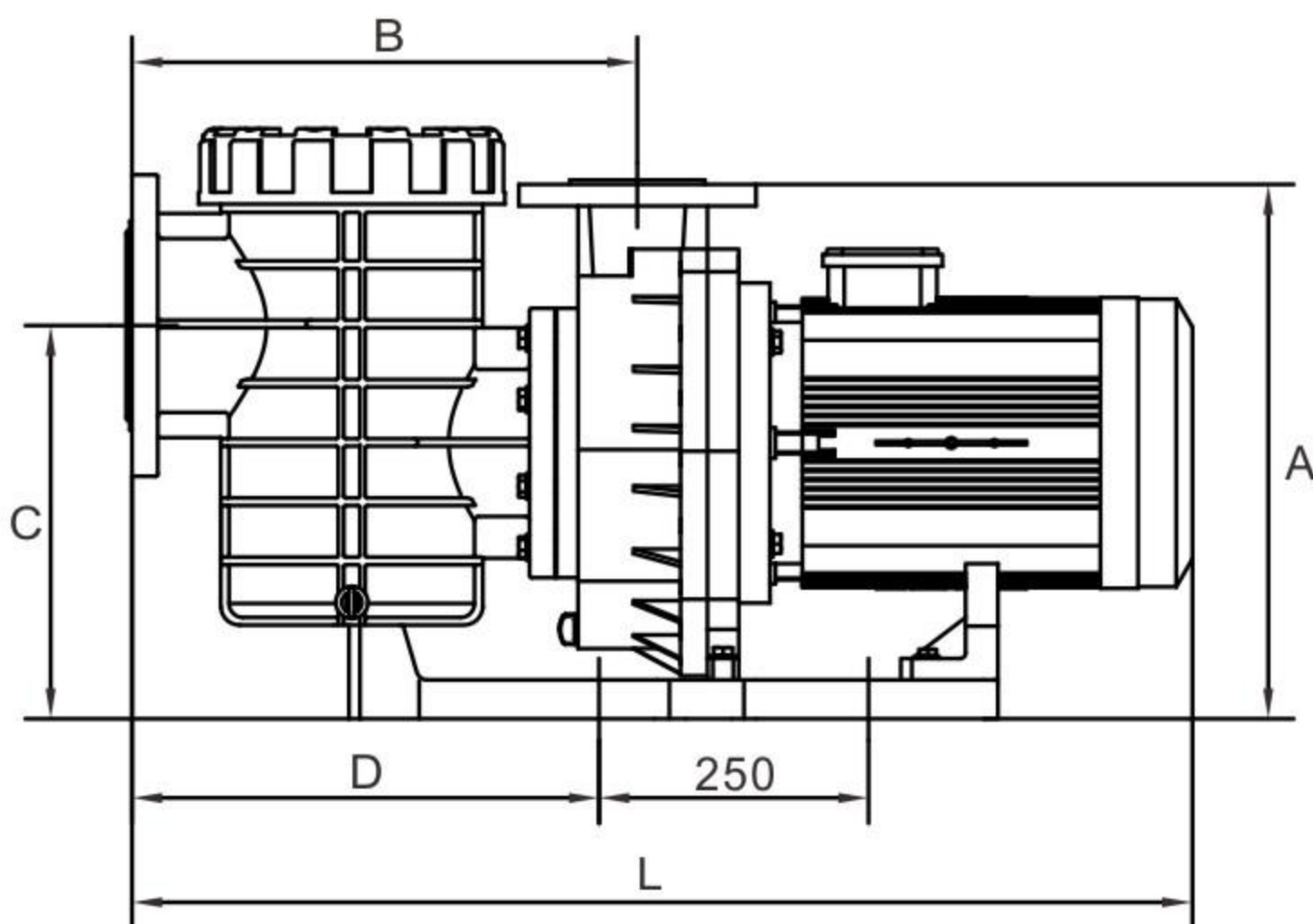
- IP55 waterproof standard.
- Big flow rate.
- Maximum working pressure up to 6kg/cm².
- 316 stainless steel shaft.
- 316 spring+Italian graphite+rubber mechanical seal.
- Motor speed 1450 r.p.m
- Suitable for maximum hot water temperature up to 70°C.



Appearance and design patented, counterfeiting not allowed!
Patent No.: CN201830218633.9

1450rpm/min, Low noise, high flow rate, high temperature and high pressure resistance.

Specification and size:



Model	Voltage	Power		Inlet	Outlet	L	A	B	C	D
	(V/Hz)	(kW)	(HP)							
ALB-550	380/50	4.0	5.5	DN125	DN80	810	481	441	365	402
ALB-750	380/50	5.5	7.5	DN125	DN80	830	481	441	365	402
ALB-1000	380/50	7.5	10.0	DN150	DN100	930	496	469	365	433
ALB-1250	380/50	9.0	12.5	DN150	DN100	930	496	469	365	433
ALB-1500	380/50	11.0	15.0	DN150	DN100	970	496	469	365	433
ALB-2000	380/50	15.0	20.0	DN150	DN100	1040	496	469	365	433

* 380V,50/60Hz pump can be customized.