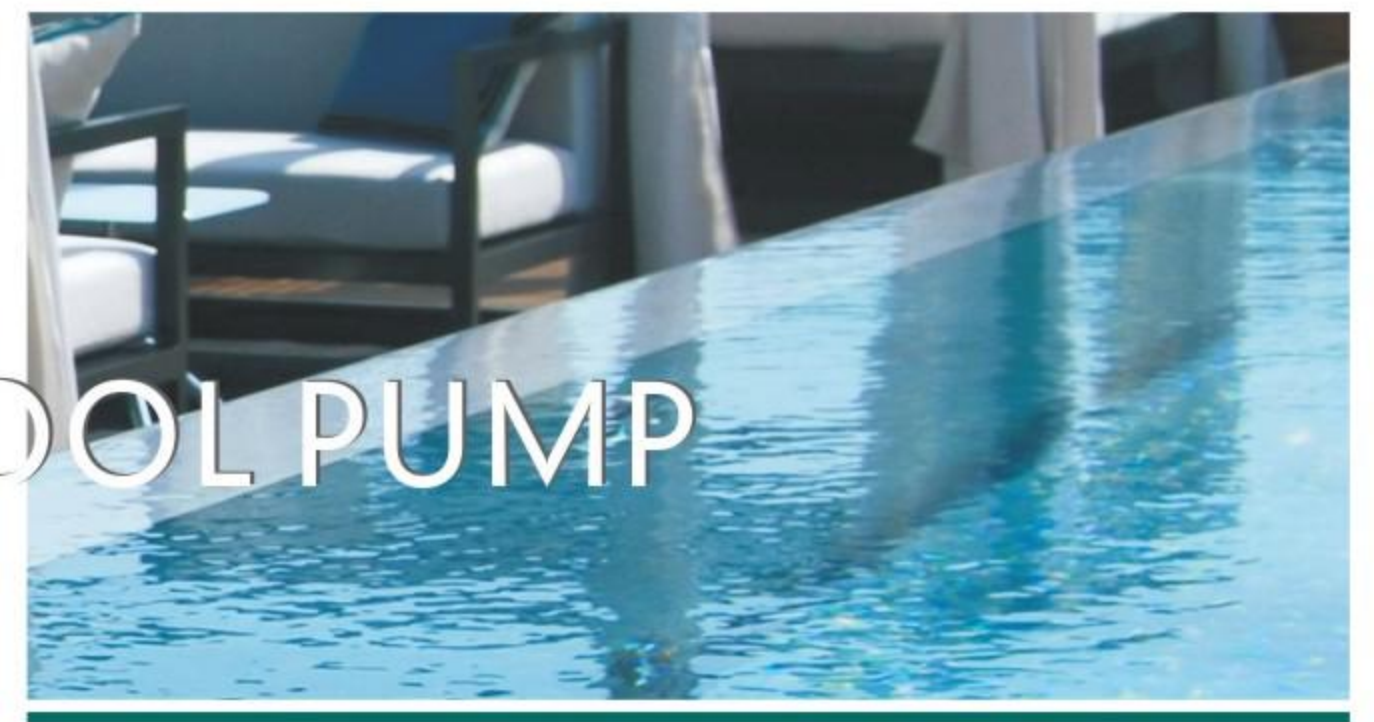




# PROFESSIONAL SWIMMING POOL PUMP



## ALK



- Low noise, 4 pole motor 1450rpm speed, running sound is 10dB lower than ordinary water pump.
- 50% energy and electricity saving, the flow rate is twice more than ordinary water pumps in the same power, and the saved electricity cost for half a year exceeds the cost of the pump.
- Wide application, suitable for swimming pool, SPA, hot spring, aquarium, etc.
- Long lasting, five-year warranty on pump motor, and the pump can be used for more than ten years.

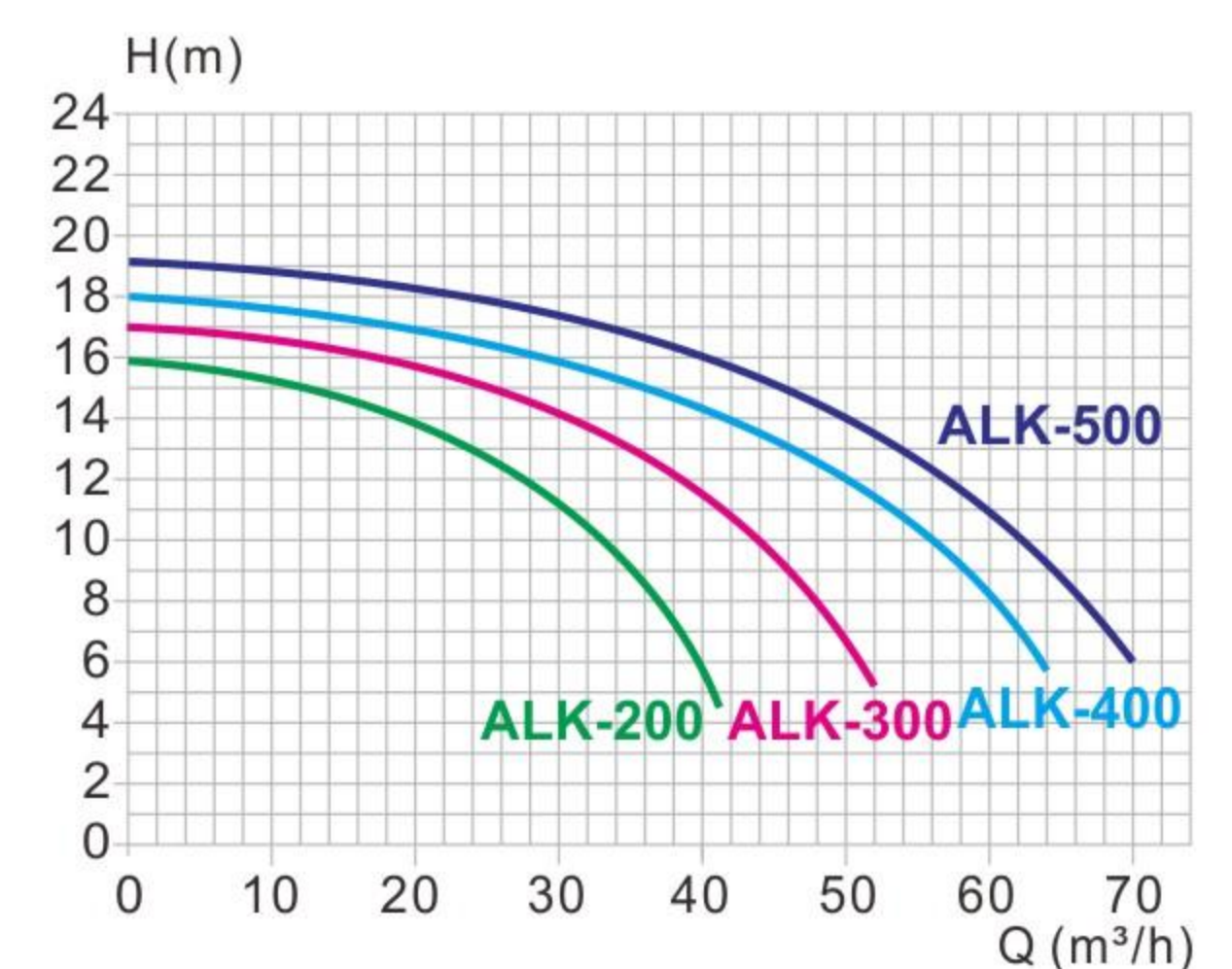
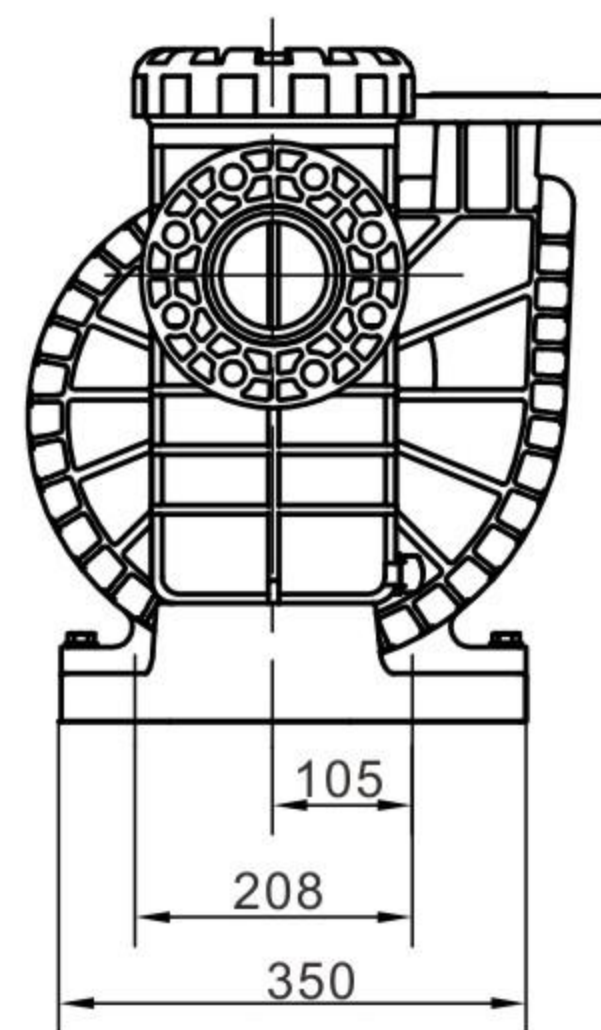
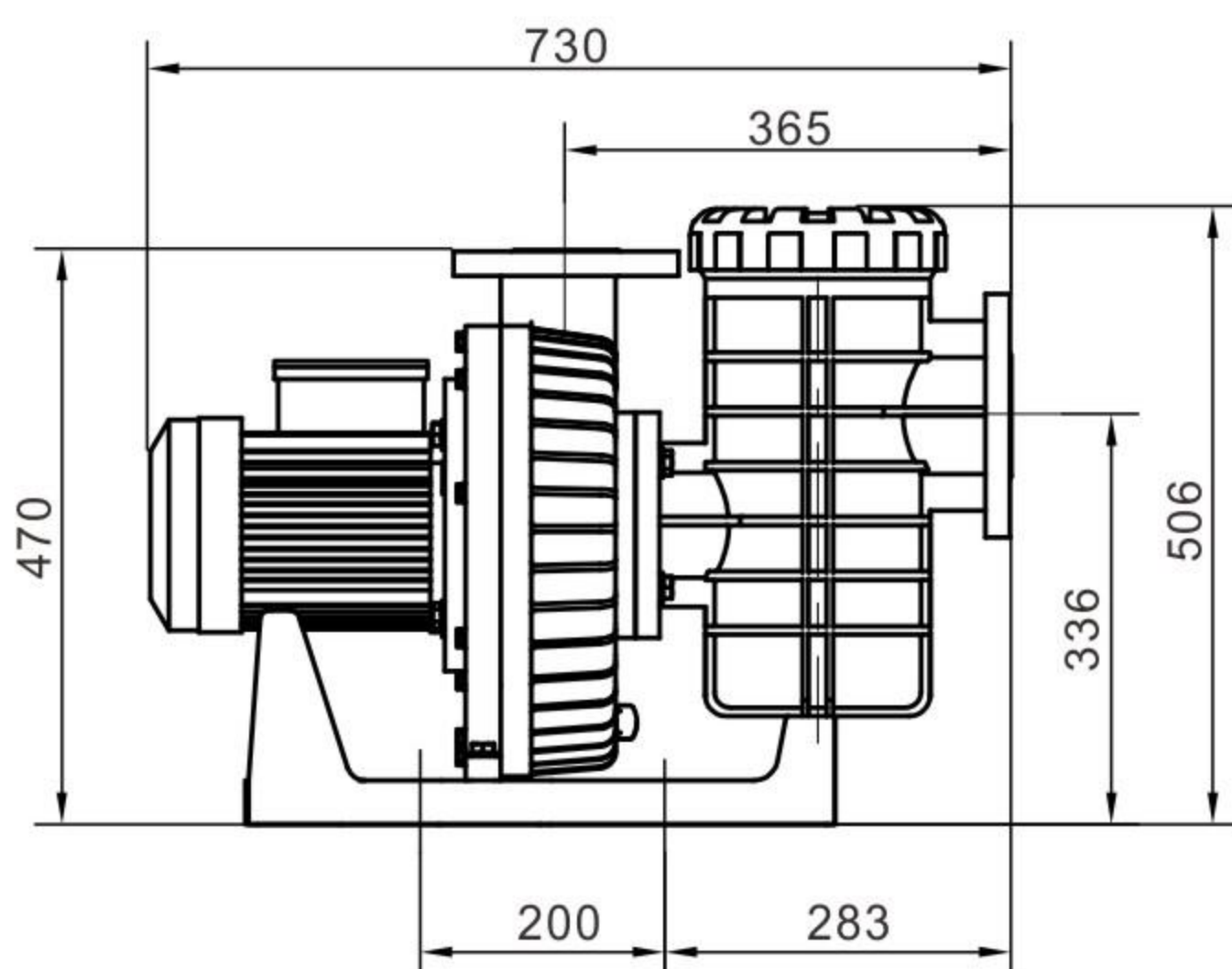


- Corrosion resistance, using 316L stainless steel motor shaft, 316 stainless steel spring, Italian graphite mechanical seal.
- Using international well-known NSK brand bearing, small friction coefficient, and maintenance-free.
- The motor is IP55 waterproof and F-class insulated.
- Sturdy and durable large-capacity filter basket, smooth inner surface is easier to clean.

Appearance and design patented, counterfeiting not allowed!  
Patent No.: CN202030417149.6

Suitable for **70°C** hot spring water, working pressure up to **6 kg/cm<sup>2</sup>**.

### Specification and size:



| Model   | Voltage | Power |      | Inlet | Outlet | Hmax | Qmax |
|---------|---------|-------|------|-------|--------|------|------|
|         | (V/Hz)  | (kW)  | (HP) |       |        |      |      |
| ALK-200 | 380/50  | 1.5   | 2.0  | DN80  | DN65   | 16   | 41   |
| ALK-300 | 380/50  | 2.0   | 3.0  | DN80  | DN65   | 17   | 52   |
| ALK-400 | 380/50  | 3.0   | 4.0  | DN80  | DN65   | 18   | 65   |
| ALK-500 | 380/50  | 3.8   | 5.0  | DN80  | DN65   | 19   | 75   |