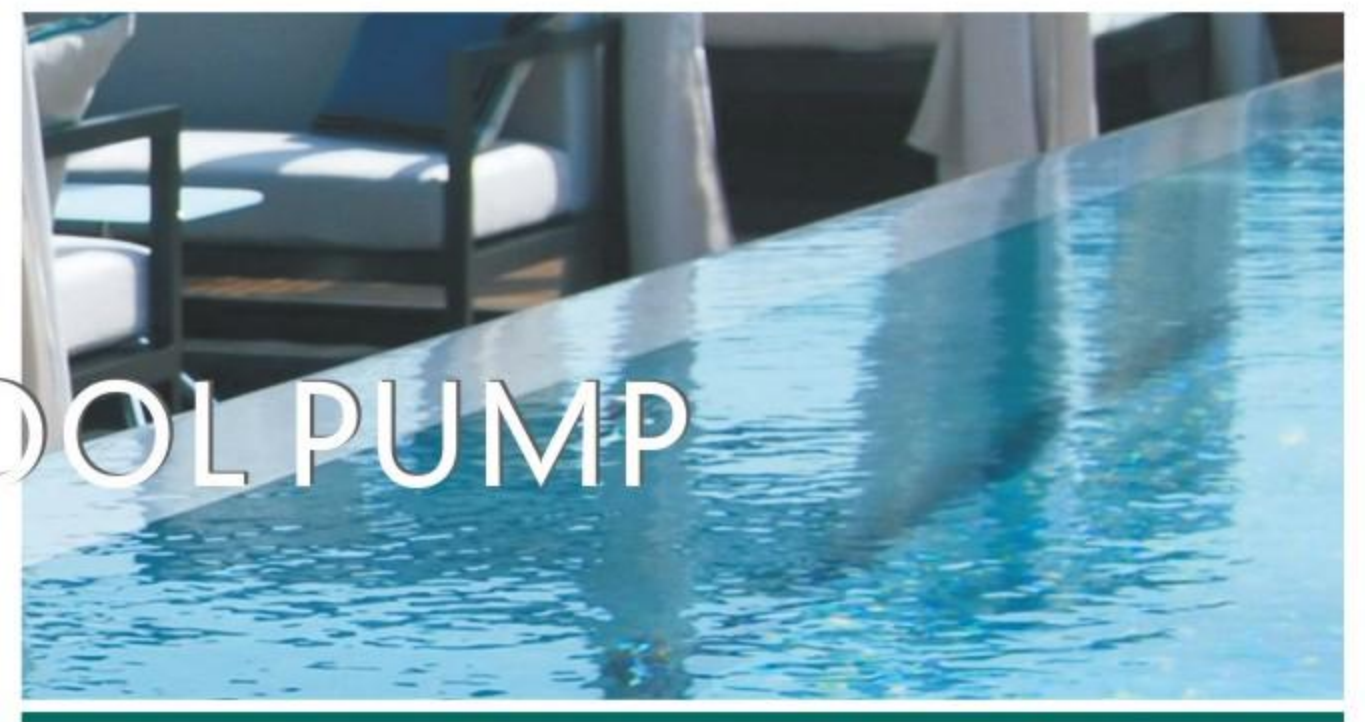




PROFESSIONAL SWIMMING POOL PUMP



AB

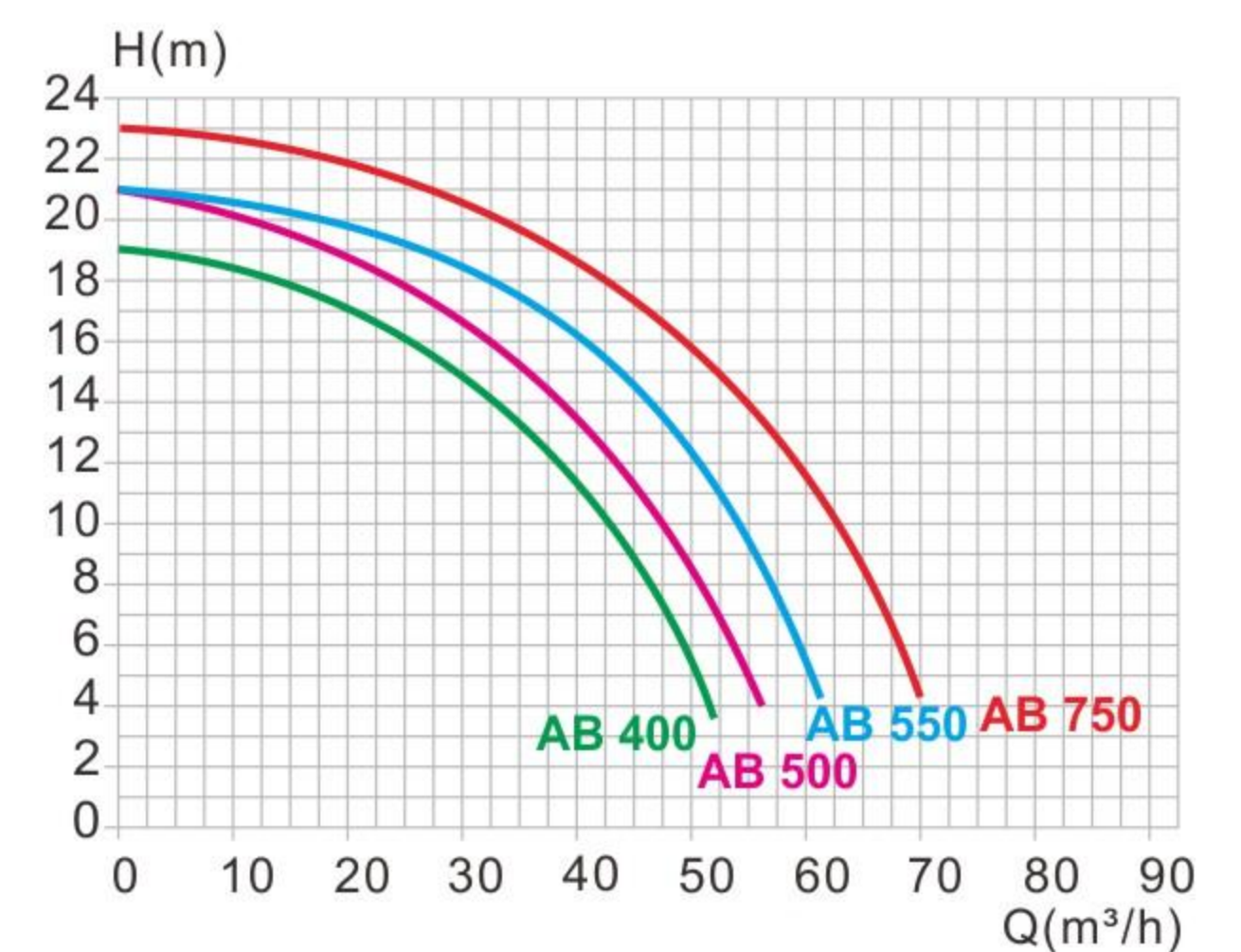
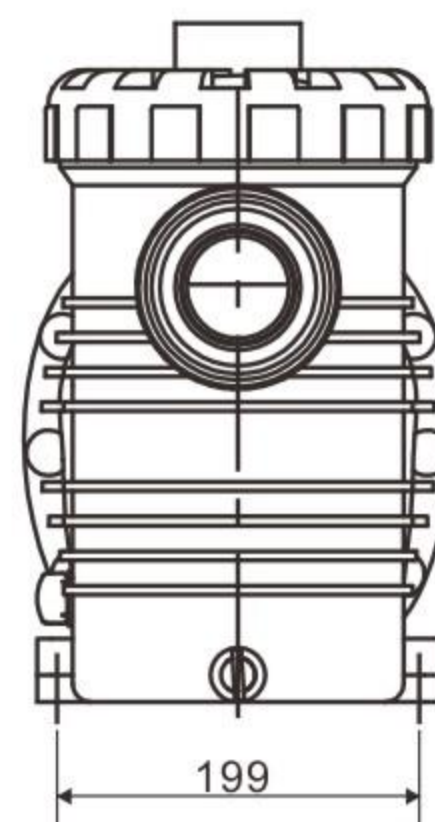
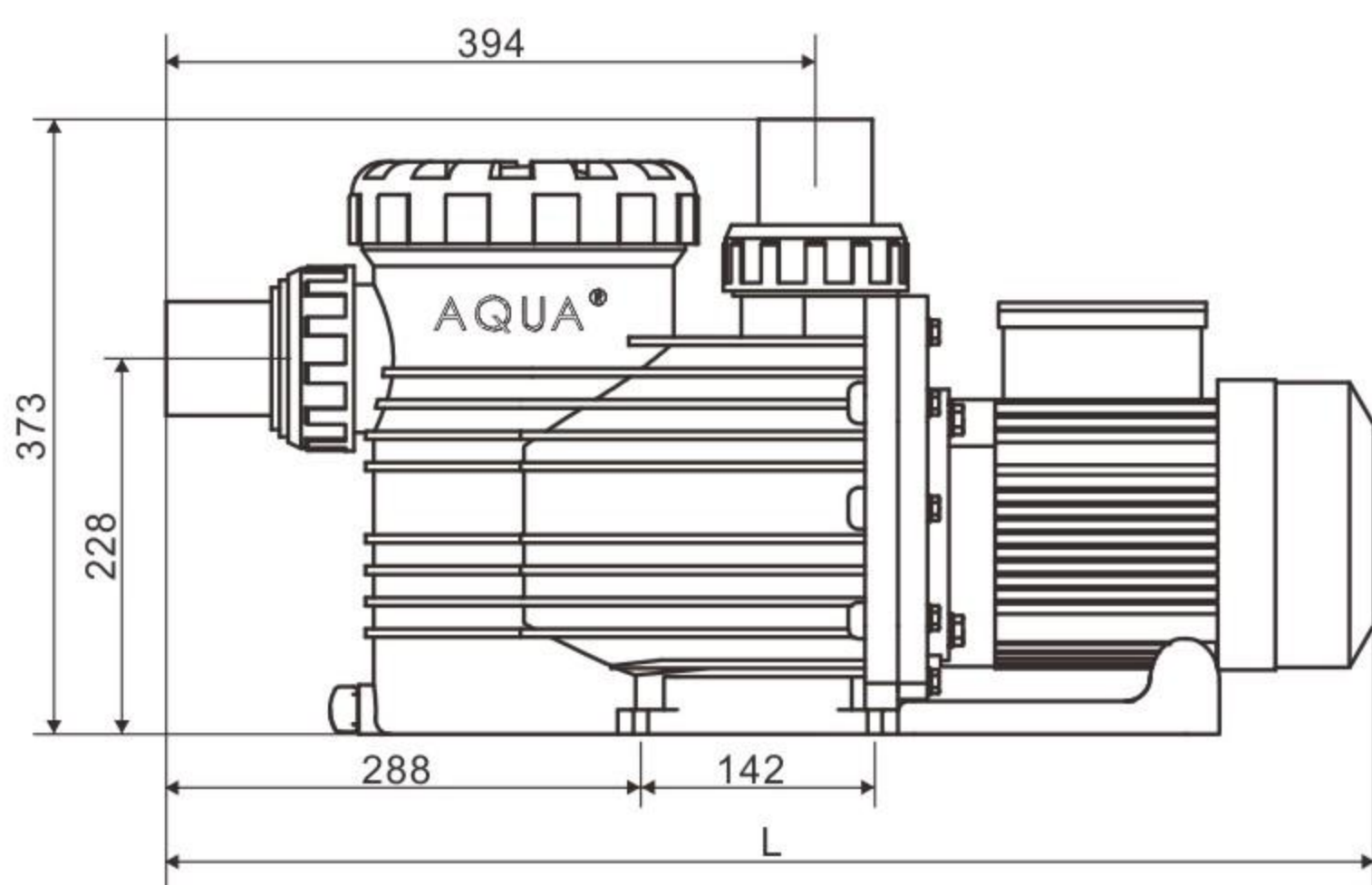
- IP55 waterproof standard.
- Big flow rate.
- Maximum working pressure up to 6 kg/cm².
- 316 stainless steel shaft.
- Graphite/ceramic mechanical seal.
- Suitable for maximum hot water temperature up to 70°C.



High temperature resistant tooth flange (optional)

Suitable for **70°C** hot spring water, working pressure up to **6 kg/cm²**.

Specification and size:



| Model | Voltage | Connection Size | Power | Rotational Speed | Length |
|-------|---------|-----------------|-------|------------------|--------|
| | (V) | | (kW) | | |
| AB400 | 380 | DN65 | 3.0 | 2850 | 750 |
| AB500 | 380 | DN65 | 3.8 | 2850 | 750 |
| AB550 | 380 | DN65/DN80 | 4.0 | 2850 | 770 |
| AB750 | 380 | DN65/DN80 | 5.5 | 2850 | 780 |