

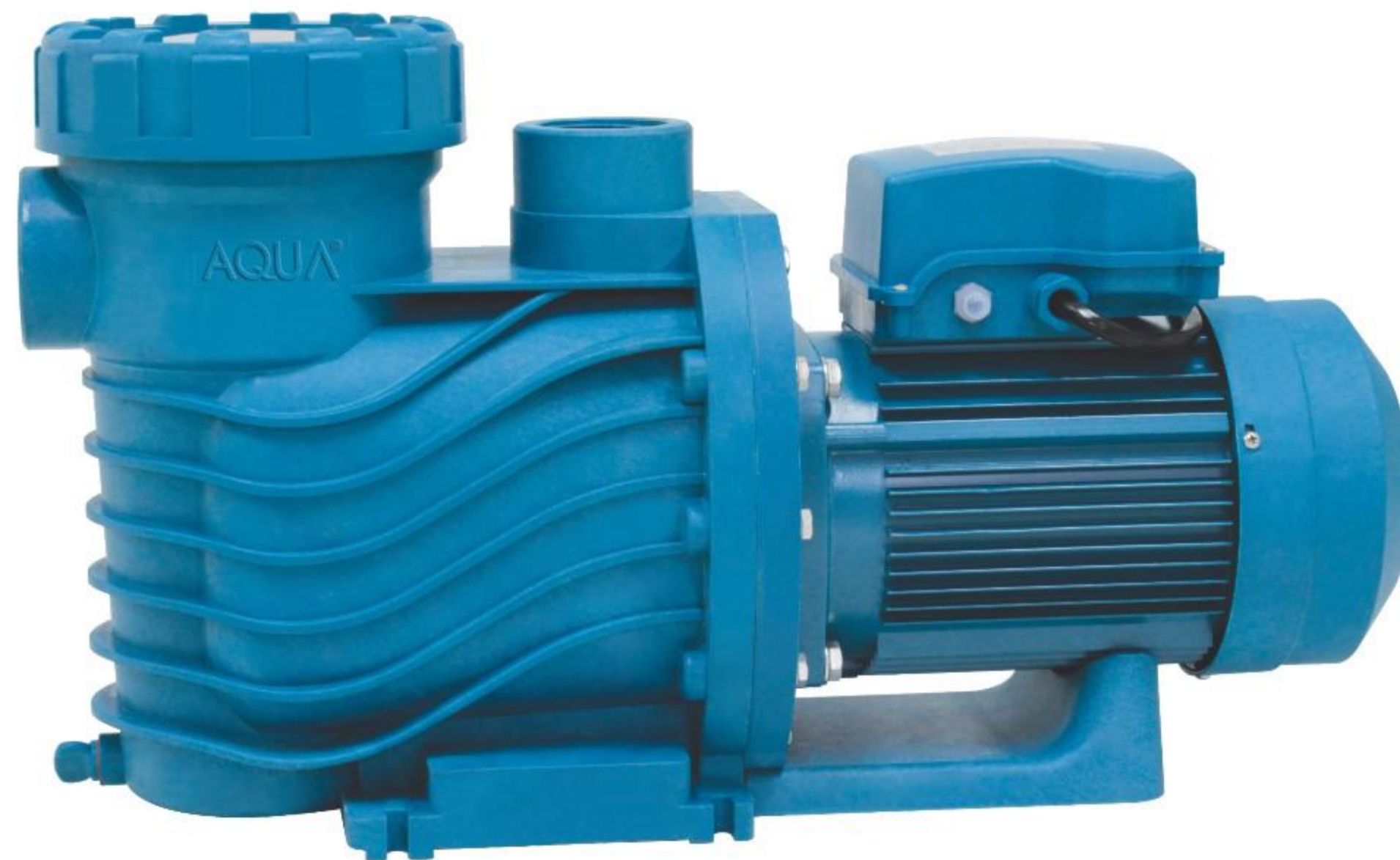


PROFESSIONAL SWIMMING POOL PUMP

AP



- IP55 waterproof standard.
- Big flow rate.
- Ultra-quiet.
- Maximum working pressure up to 6 kg/cm².
- 316 stainless steel shaft.
- Graphite/ceramic mechanical seal.
- Suitable for maximum hot water temperature up to 70°C.

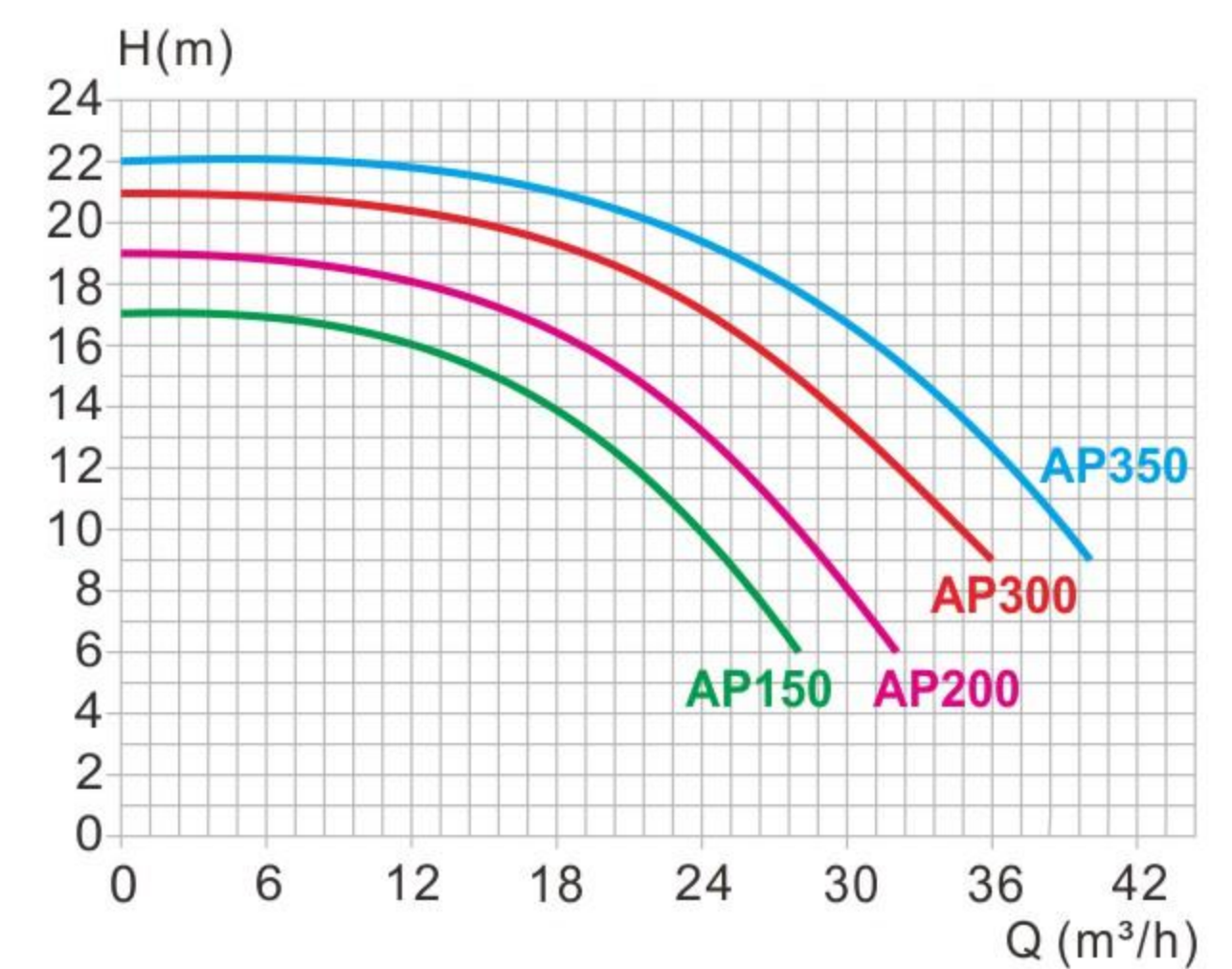
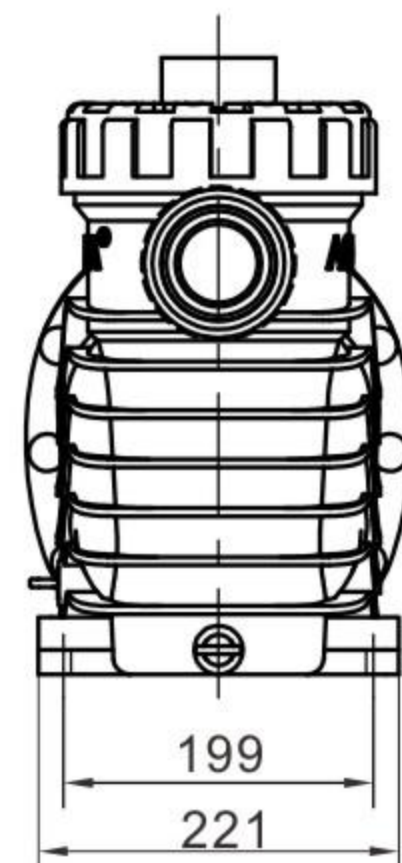
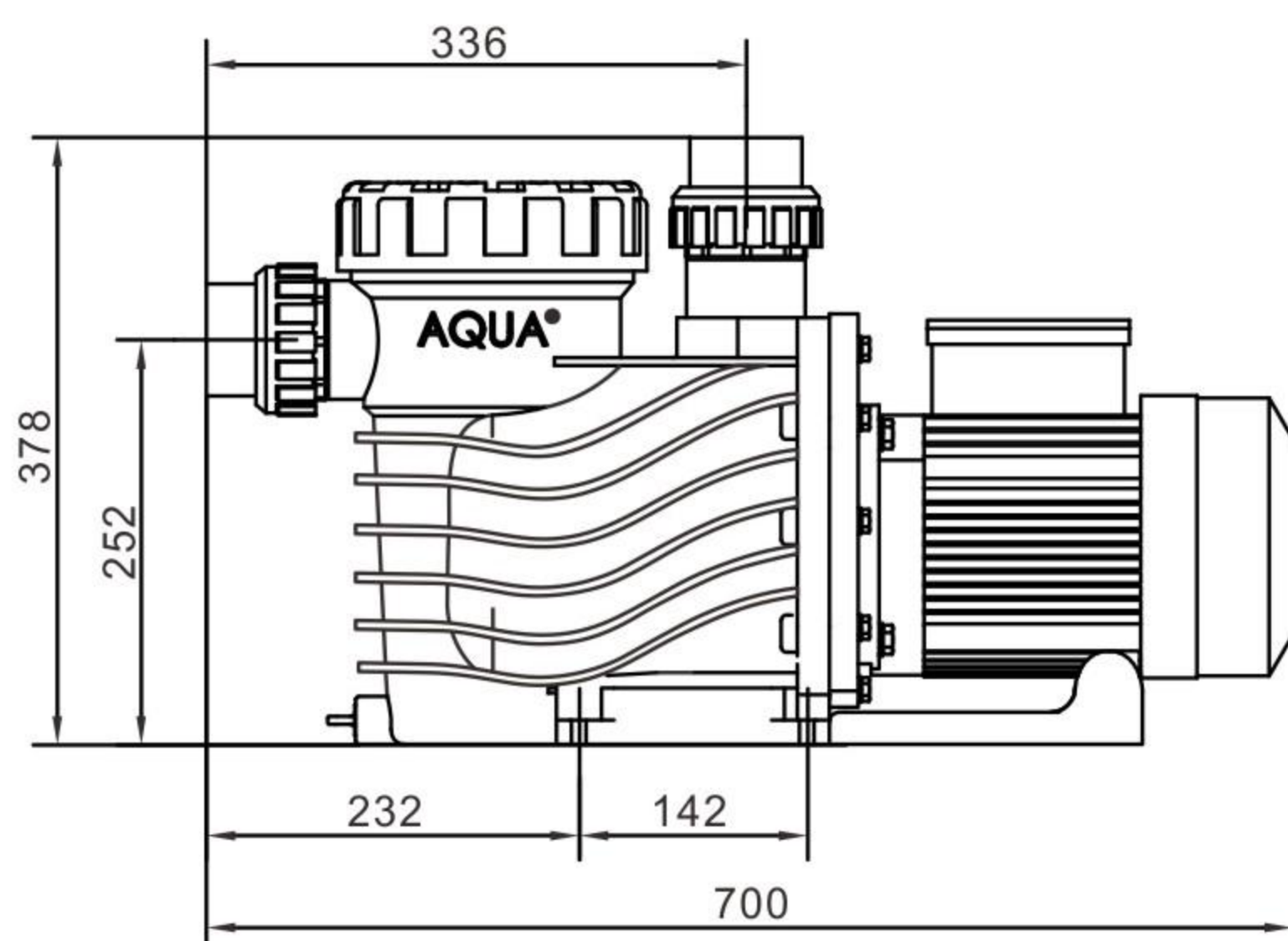


High temperature resistant tooth flange (optional)

Appearance and design patented, counterfeiting not allowed!
Patent No.: CN201730282480.X

Suitable for **70°C** hot spring water, working pressure up to **6 kg/cm²**.

Specification and size:



Model	Voltage	Connection Size	Power	Weight	Length	Width	Height
	(V)						
AP150	220	DN50	1.1	20.8	700	221	378
AP200	220	DN50	1.5	22.0	700	221	378
AP300	220/380	DN50	2.2	24.0	700	221	378
AP350	220/380	DN50	2.6	25.0	700	221	378