



# PROFESSIONAL SWIMMING POOL PUMP

## AK



- IP55 waterproof standard.
- Big flow rate.
- Ultra-quiet.
- Maximum working pressure up to 6 kg/cm<sup>2</sup>.
- 316 stainless steel shaft.
- Graphite/ceramic mechanical seal.
- Suitable for maximum hot water temperature up to 70°C.

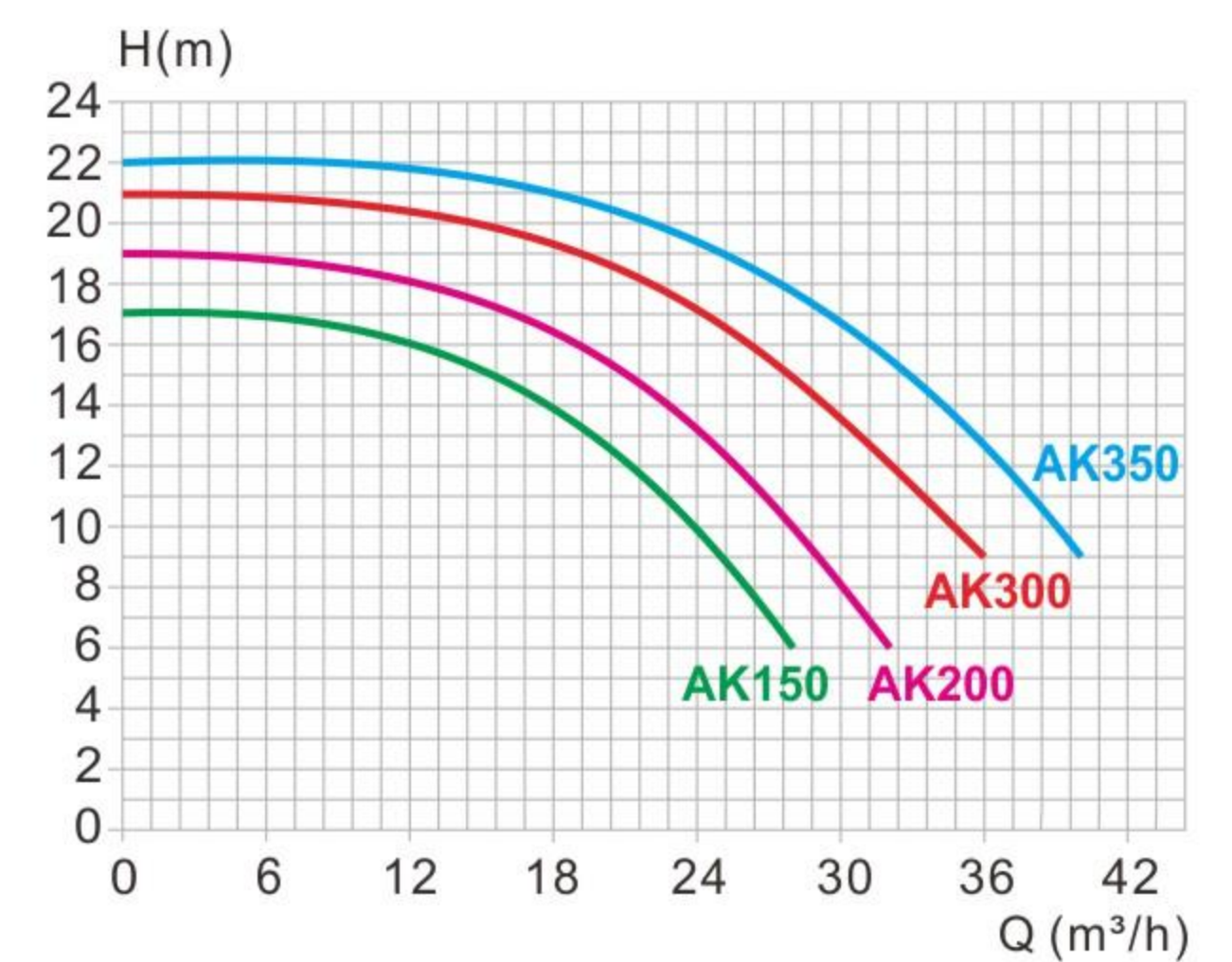
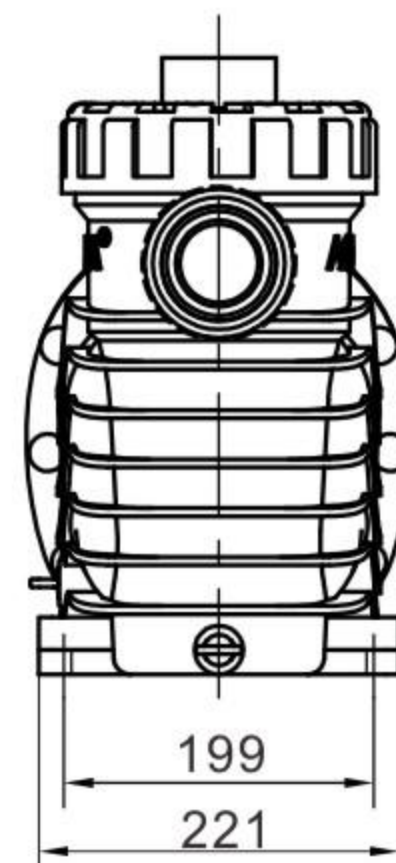
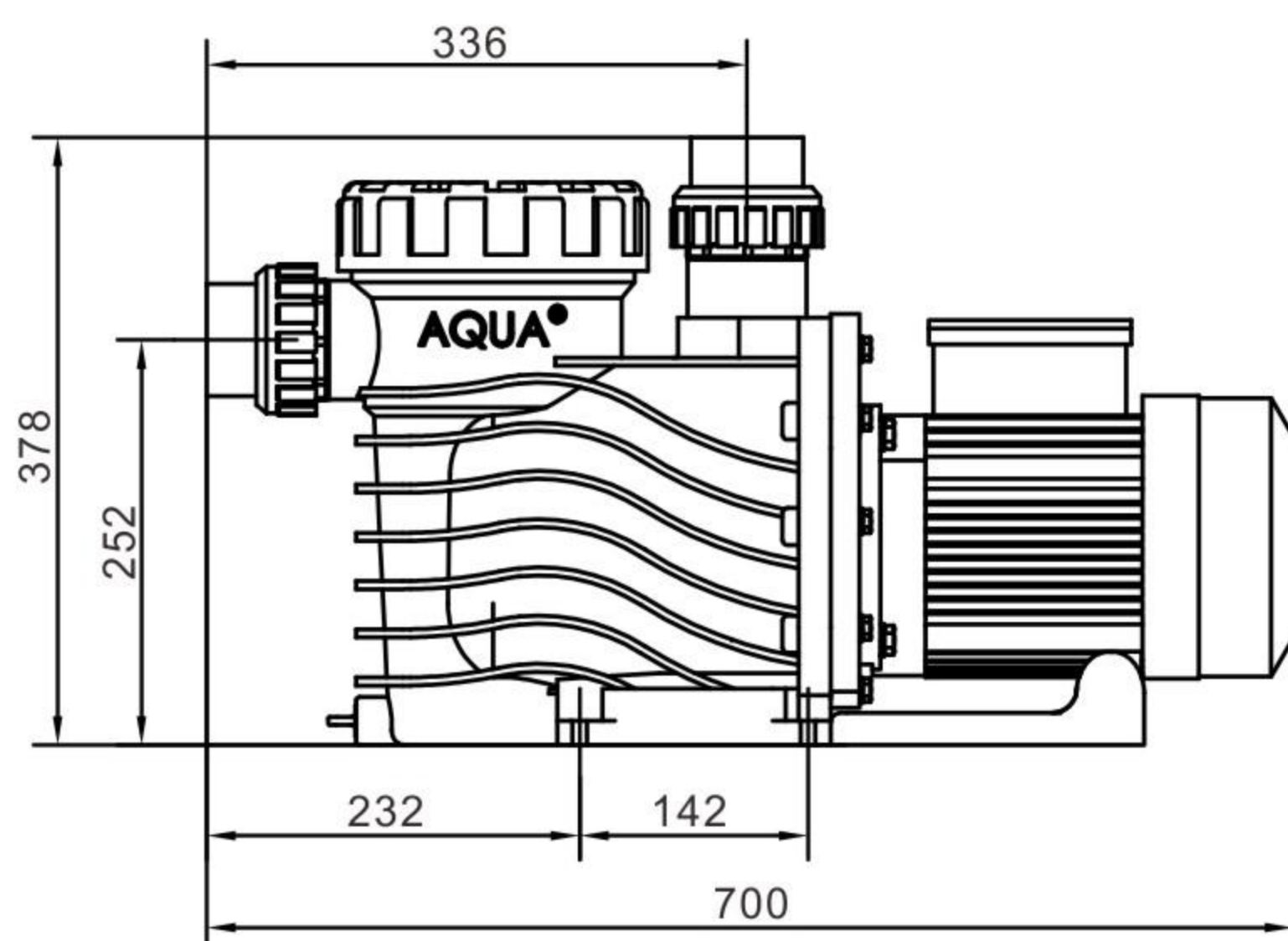


High temperature resistant tooth flange (optional)

Appearance and design patented, counterfeiting not allowed!  
Patent No.: CN201630522508.8

Suitable for **70°C** hot spring water, working pressure up to **6 kg/cm<sup>2</sup>**.

### Specification and size:



Model	Voltage (V)	Connection Size	Power (kW)	Weight (kg)	Length (mm)	Width (mm)	Height (mm)
AK150	220	DN50	1.1	20.8	700	221	378
AK200	220/380	DN50	1.5	22.0	700	221	378
AK300	220/380	DN50	2.2	24.0	700	221	378
AK350	220/380	DN50	2.6	25.0	700	221	378